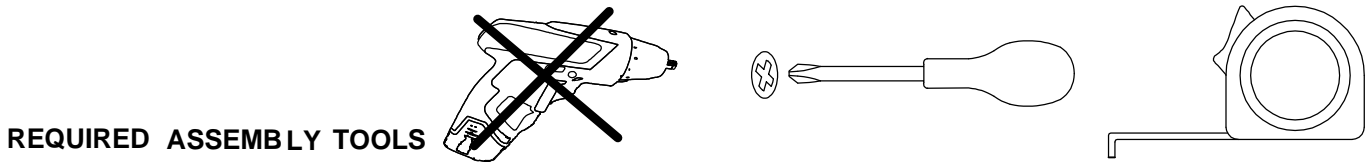
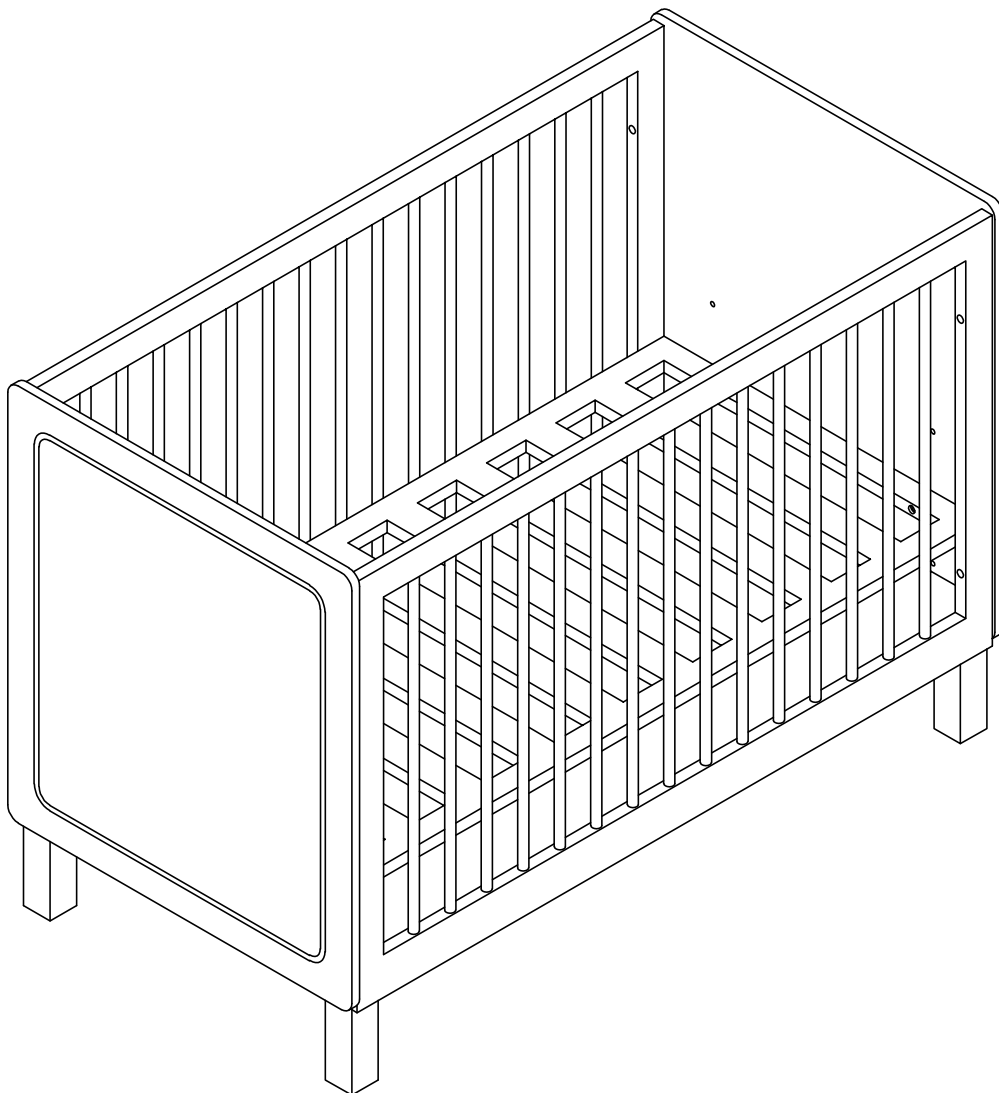


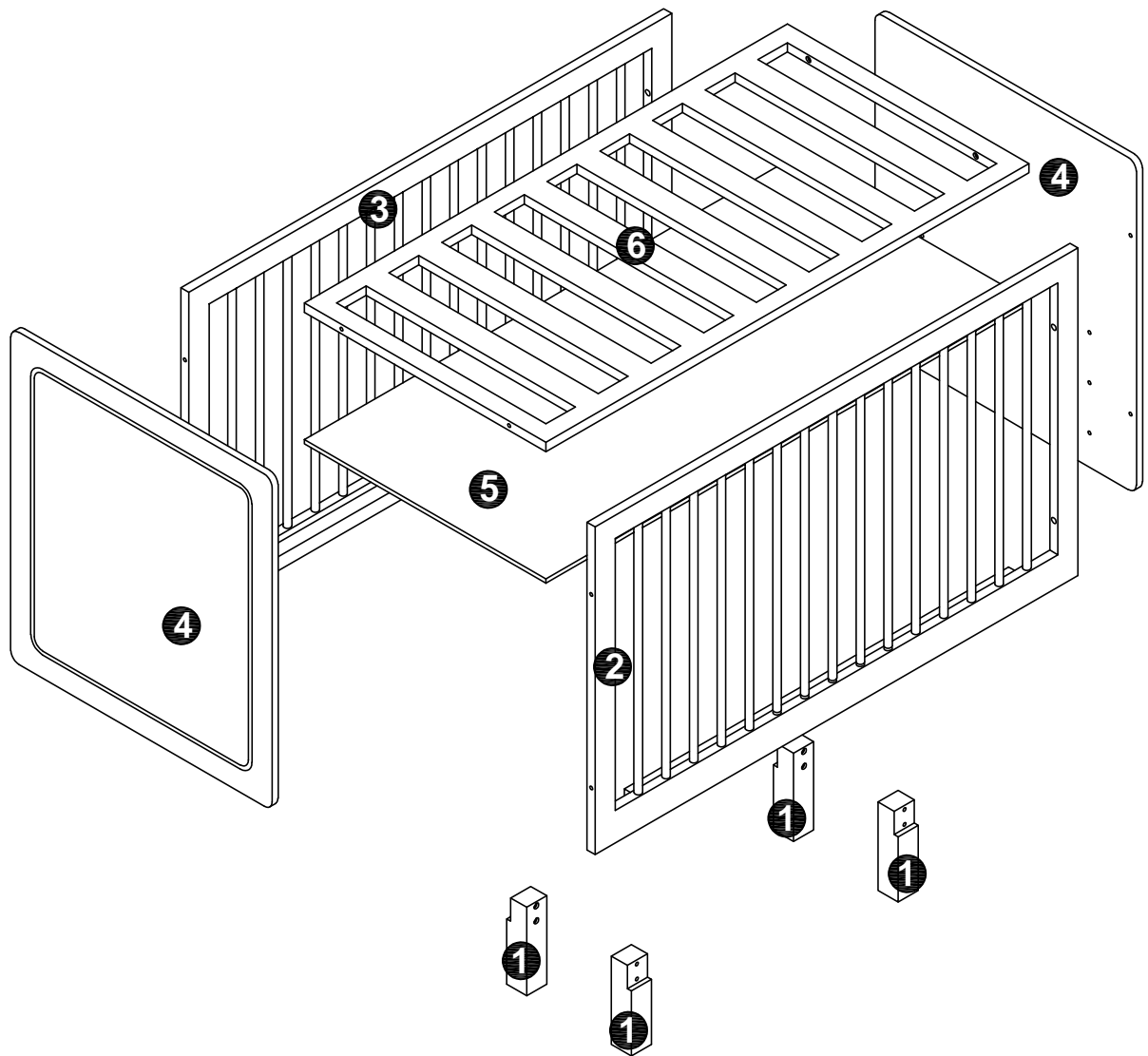
Baby cot Cory



ASSEMBLED DIMENSIONS



Baby cot Cory

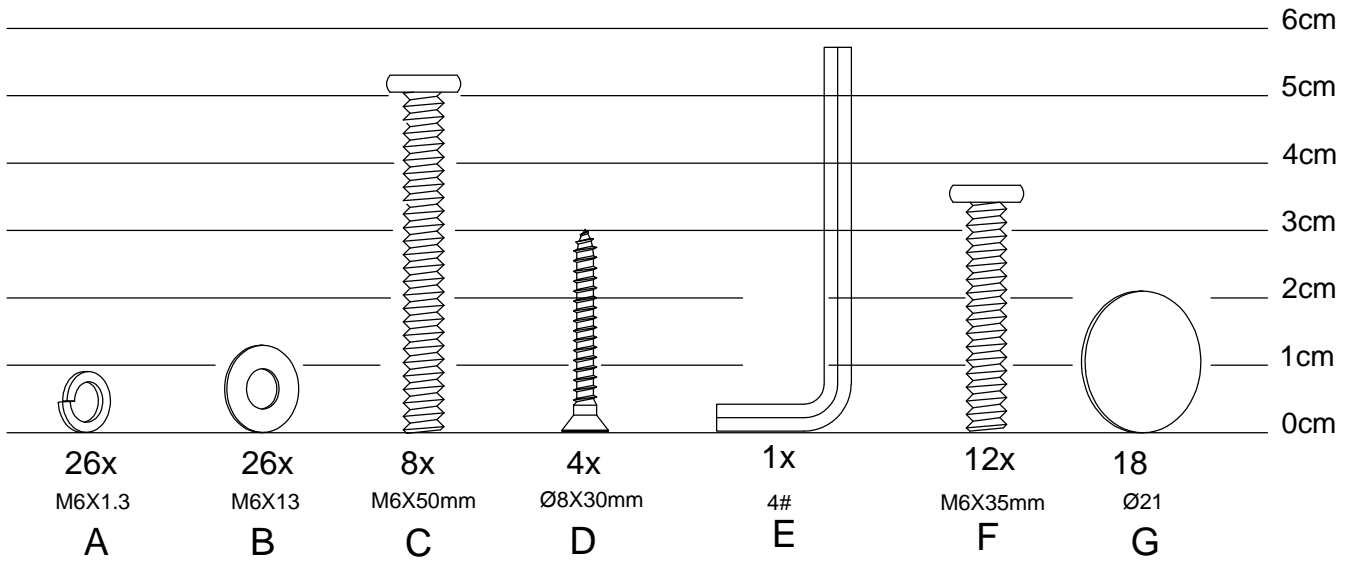


Baby cot Cory

NO.	PARTS LIST	QTY	NO.	PARTS LIST	QTY
①	Foot	4	④	Bed side panel	2
②	Front rail guard	1	⑤	Bottom panel	1
③	Back rail guard	1	⑥	Slatted frame	1

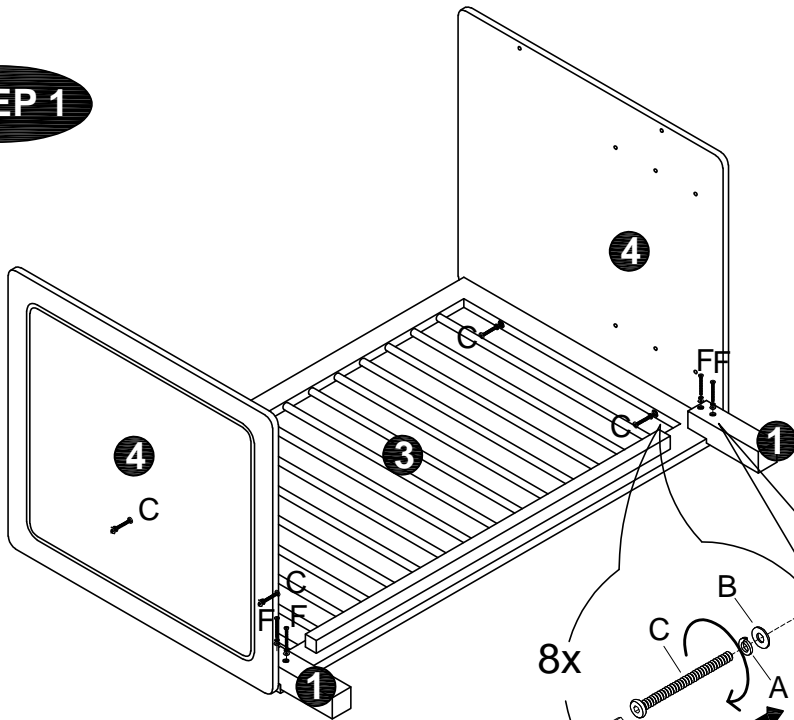
Baby cot Cory

HARDWARE LIST

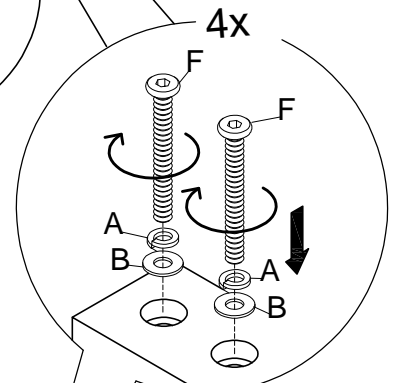
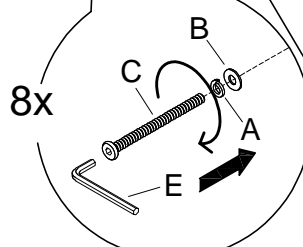
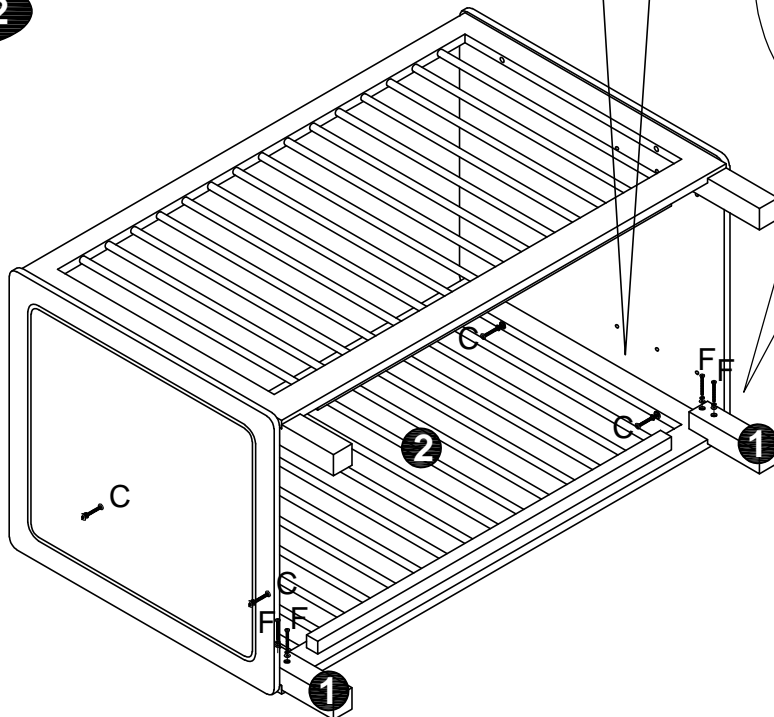


Baby cot Cory

STEP 1

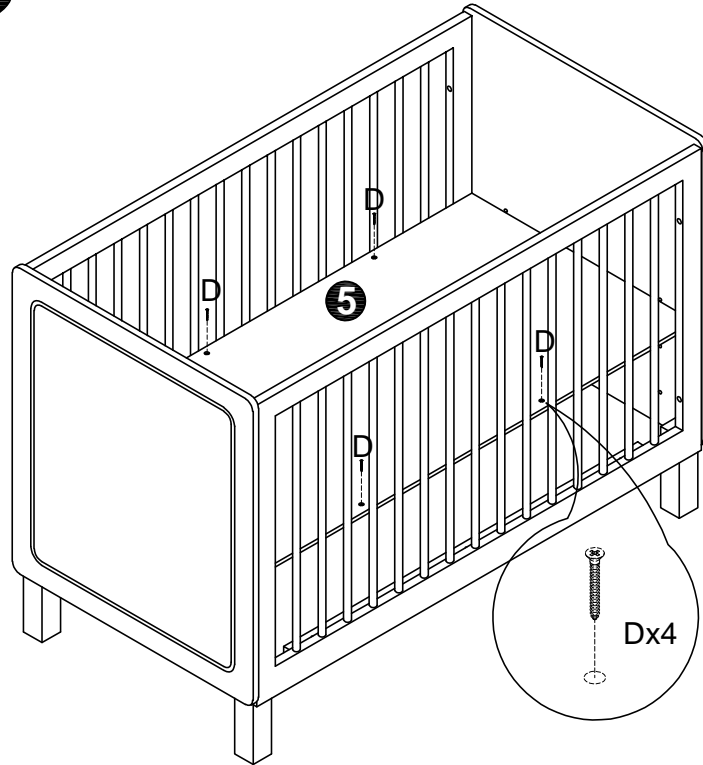


STEP 2

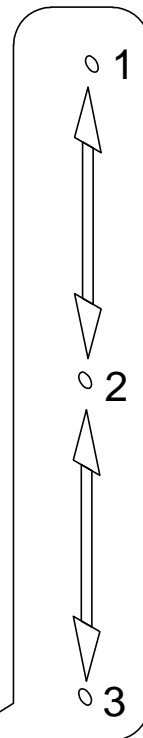
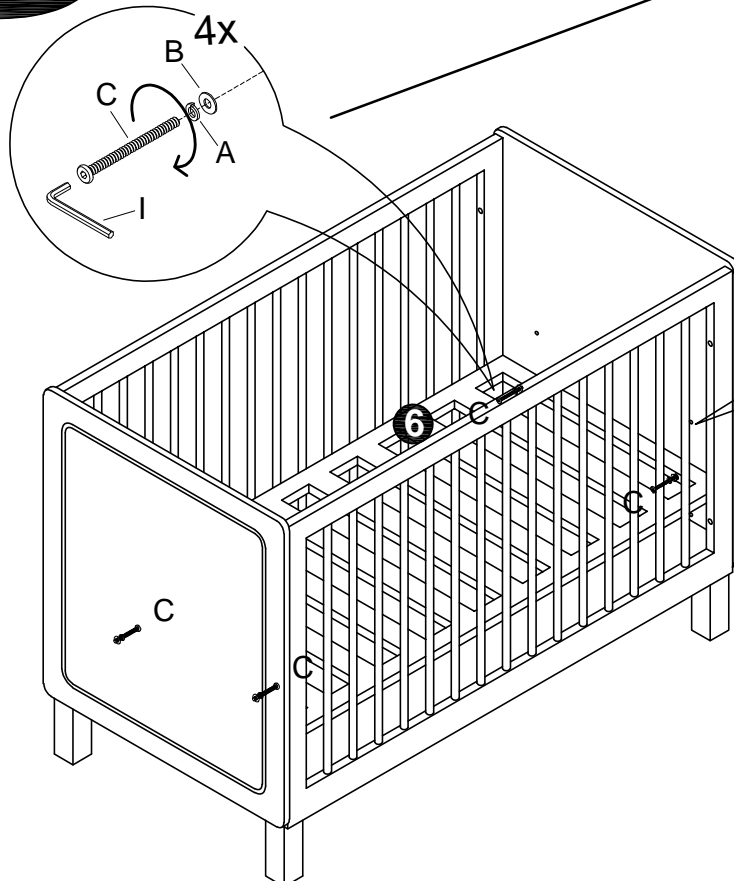


Baby cot Cory

STEP 3

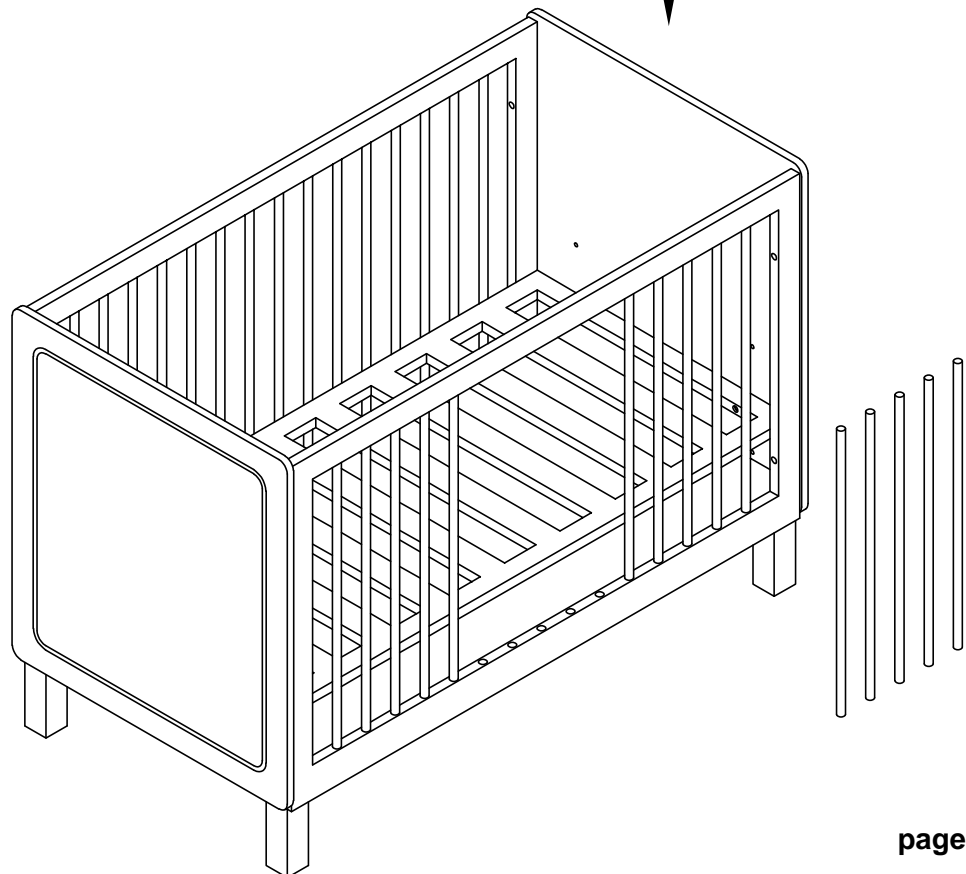
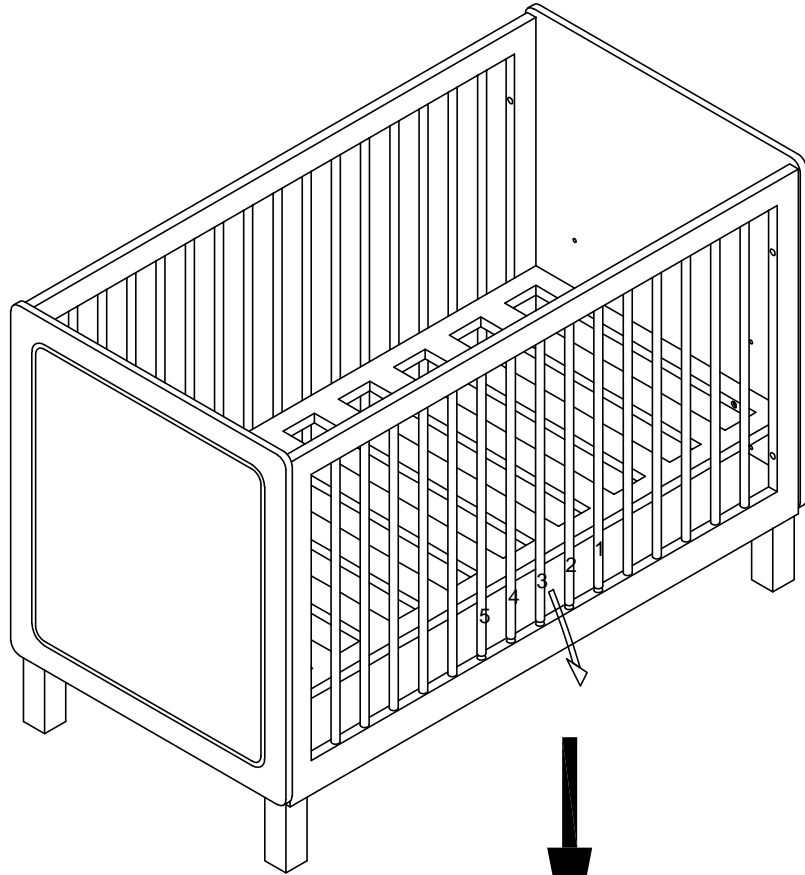


STEP 4



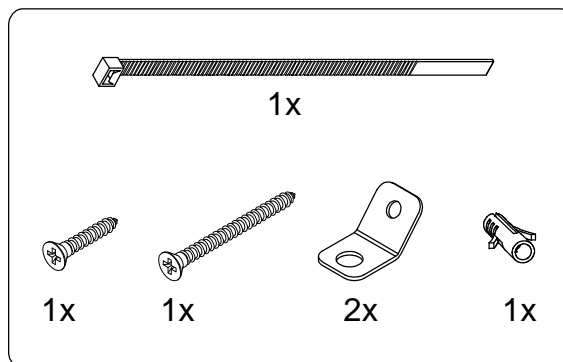
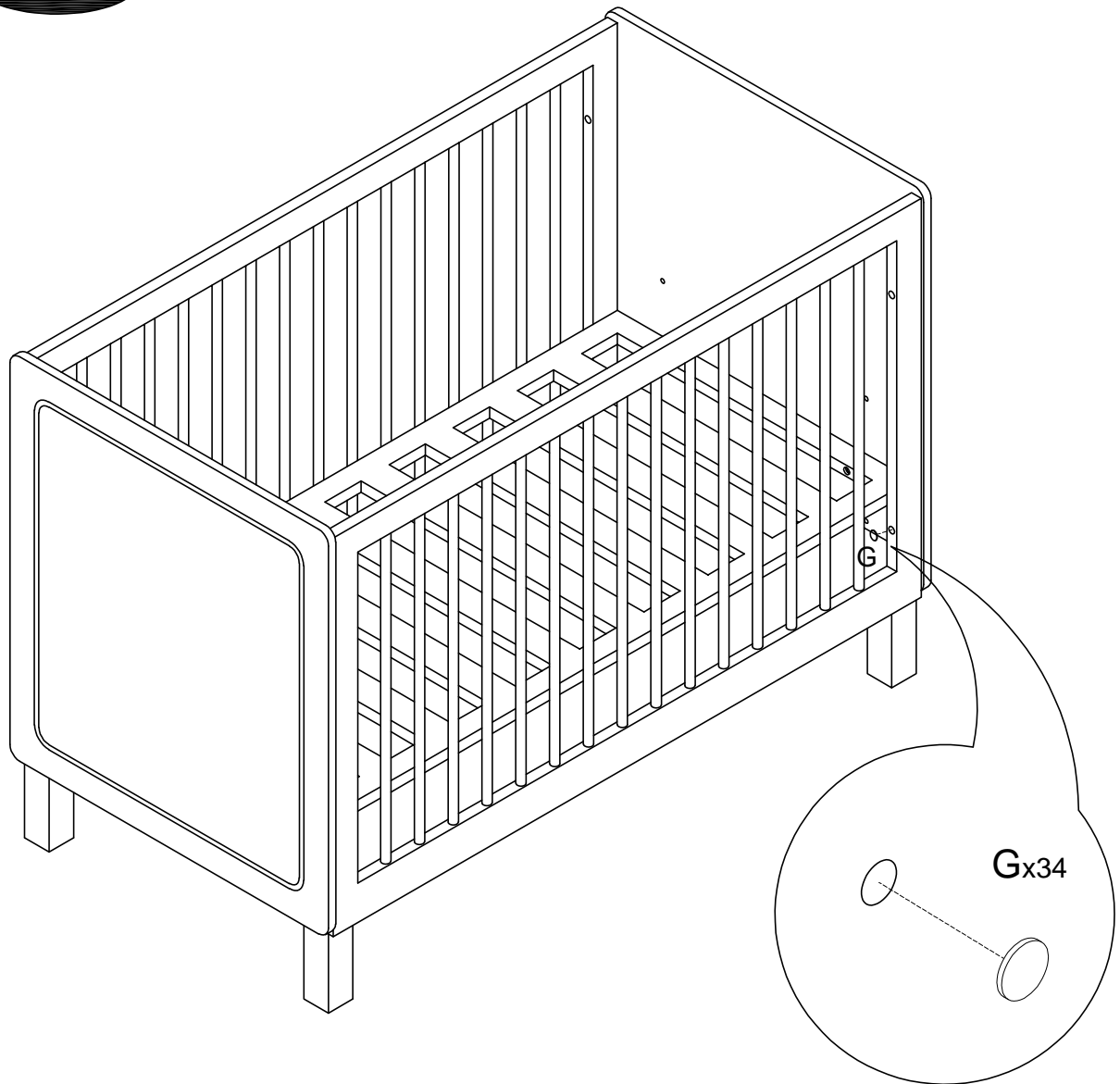
Baby cot Cory

STEP 5



Baby cot Cory

STEP 6



Safety tip: Please attach the bed to the wall using the hardware provided.