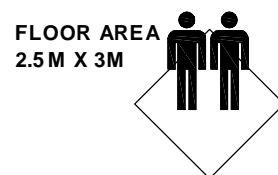
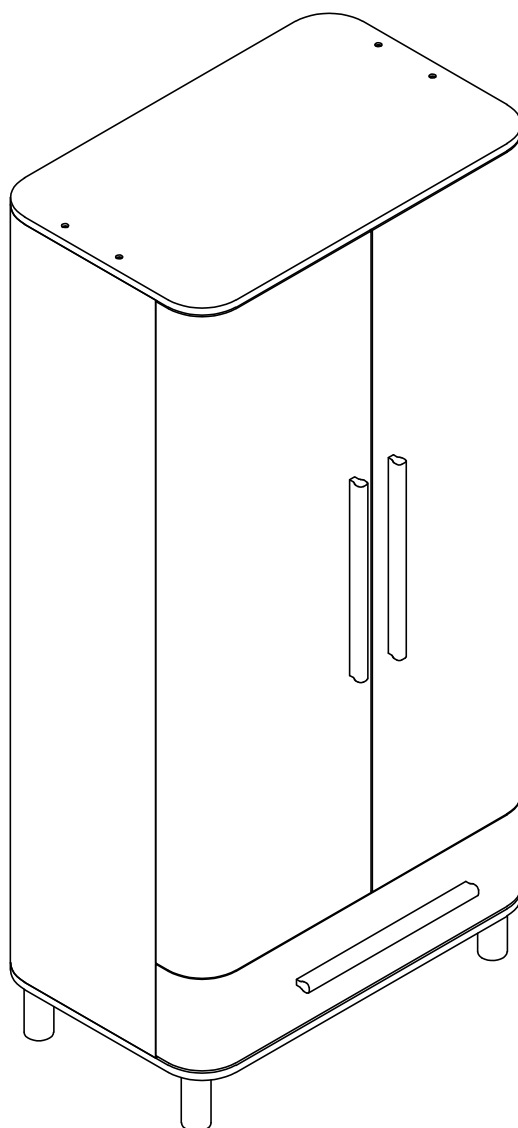
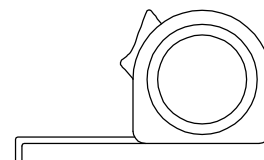
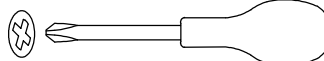
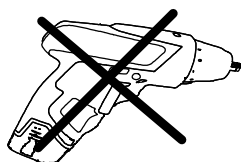


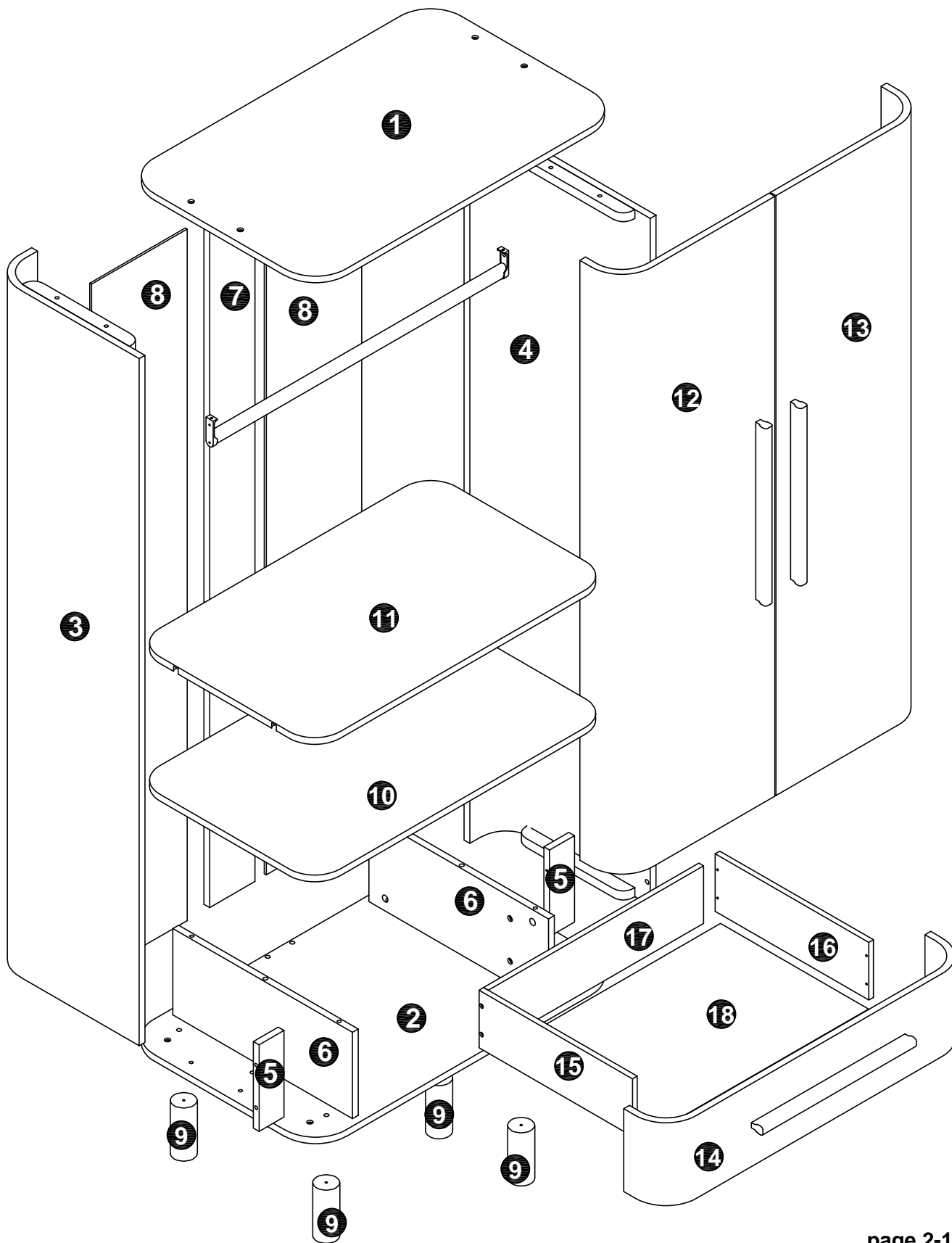
2-door wardrobe Milan



REQUIRED ASSEMBLY TOOLS





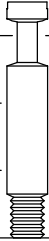
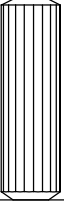


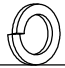

2-door wardrobe Milan



2-door wardrobe Milan

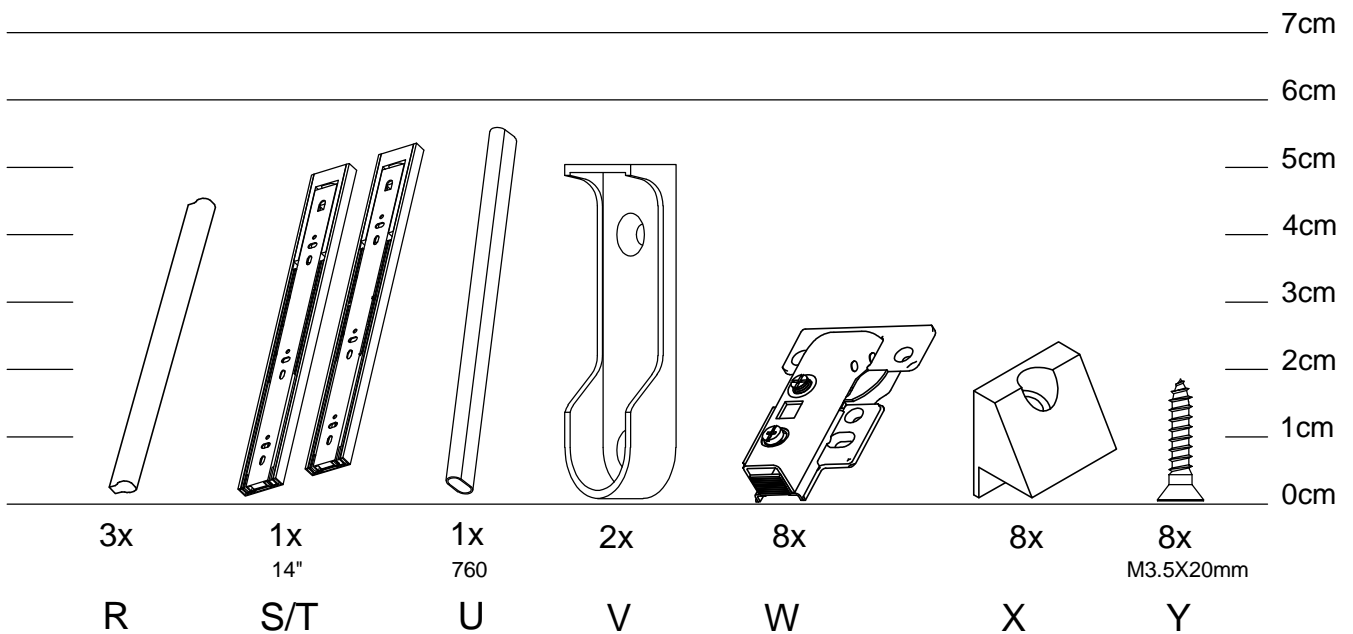
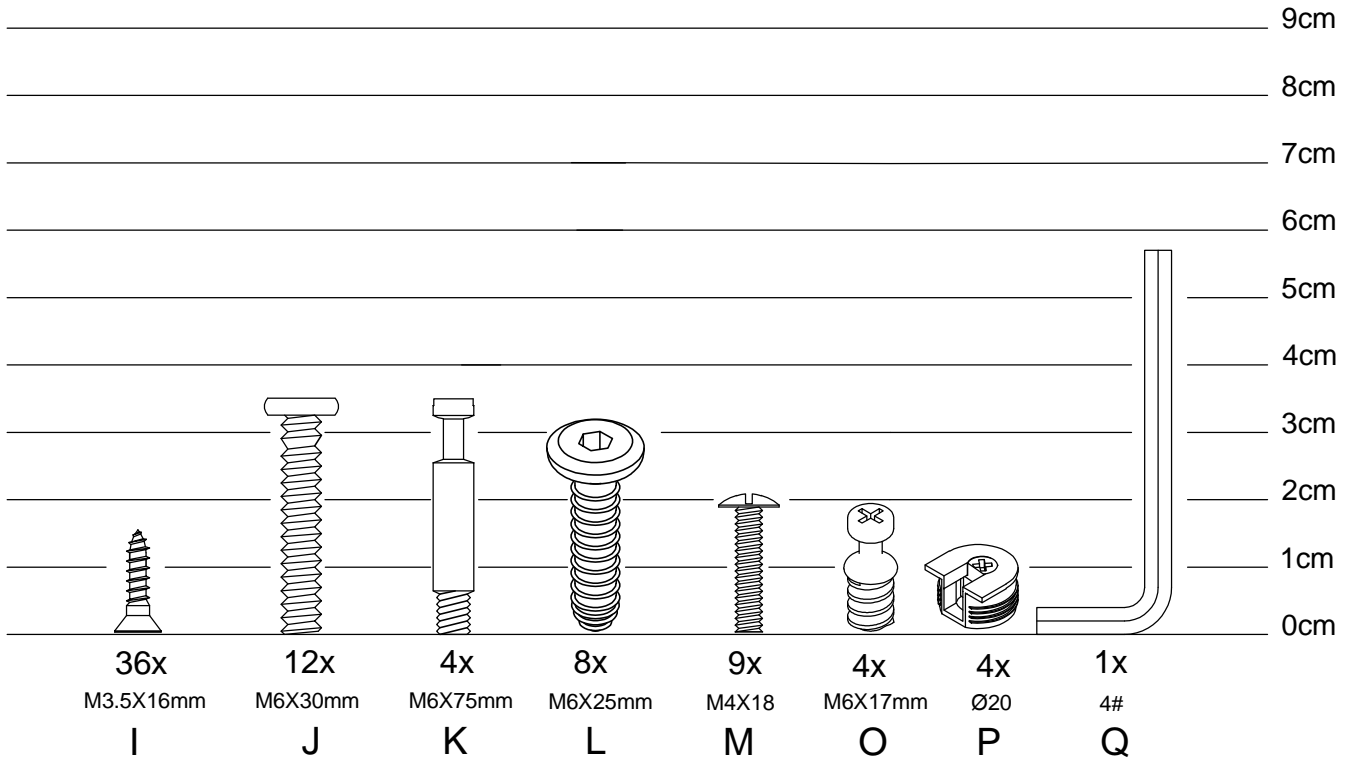
NO.	PARTS LIST	QTY	NO.	PARTS LIST	QTY
1	Top pannel	1	10	Lower compartment	1
2	Bottom pannel	1	11	Upper compartment	1
3	Left pannel	1	12	Left door	1
4	Right pannel	1	13	Right door	1
5	Small front pannel	2	14	Drawer front	1
6	Inner pannel	2	15	Left drawer side	1
7	Back support beam	1	16	Right drawer side	1
8	Back pannel	2	17	Drawer back pannel	1
9	Feet	4	18	Drawer bottom pannel	1

HARDWARE LIST

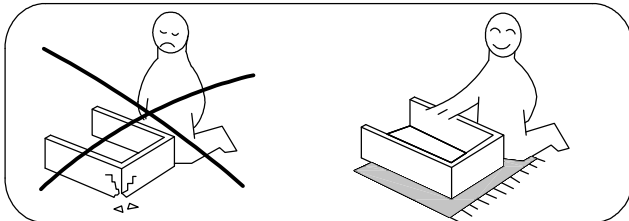
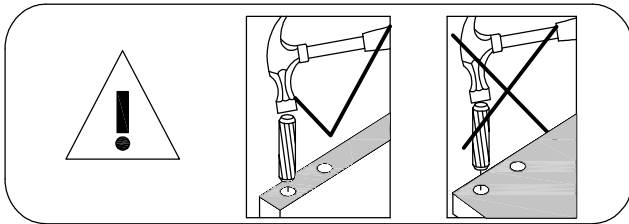
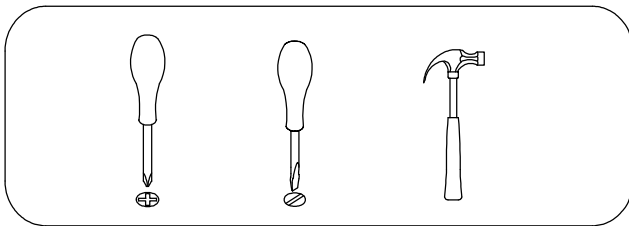
								4cm
								3cm
								2cm
								1cm
								0cm
								
4x	12x	12x	6x	8x	4x	12x	12x	
Ø12X10	Ø15X10	M6X35	Ø8X30mm	M3.5X12mm	M3.5X30mm	M6X1.3	M6X13	
A	B	C	D	E	F	G	H	

2-door wardrobe Milan

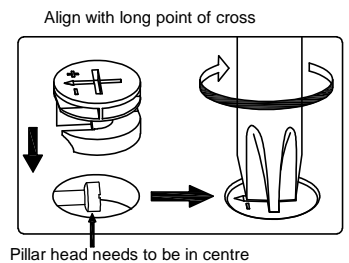
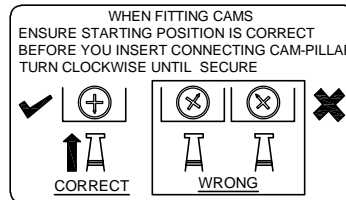
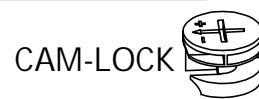
HARDWARE LIST



2-door wardrobe Milan

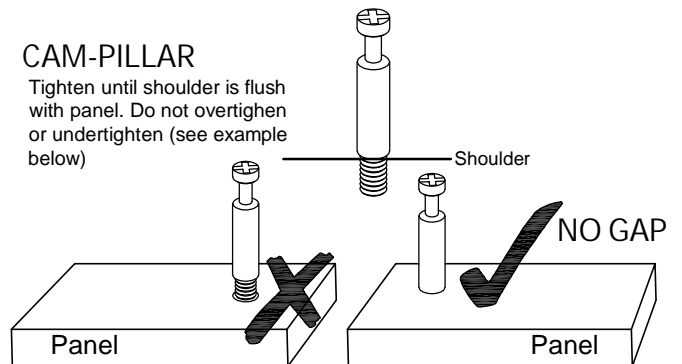


TIPS FOR FITTING CAM-LOCKS AND CAM-PILLARS



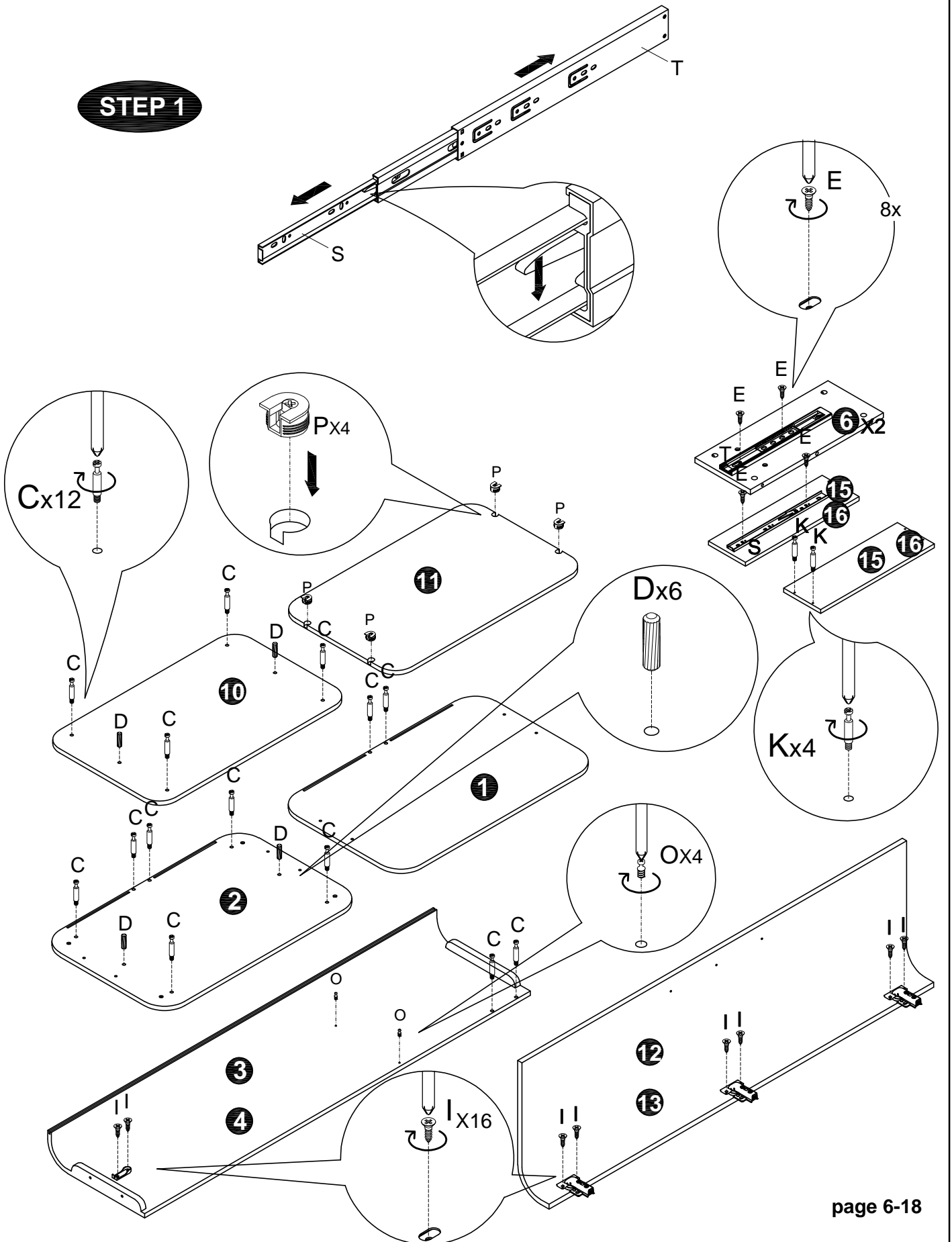
CAM-PILLAR

Tighten until shoulder is flush with panel. Do not overtighten or undertighten (see example below)



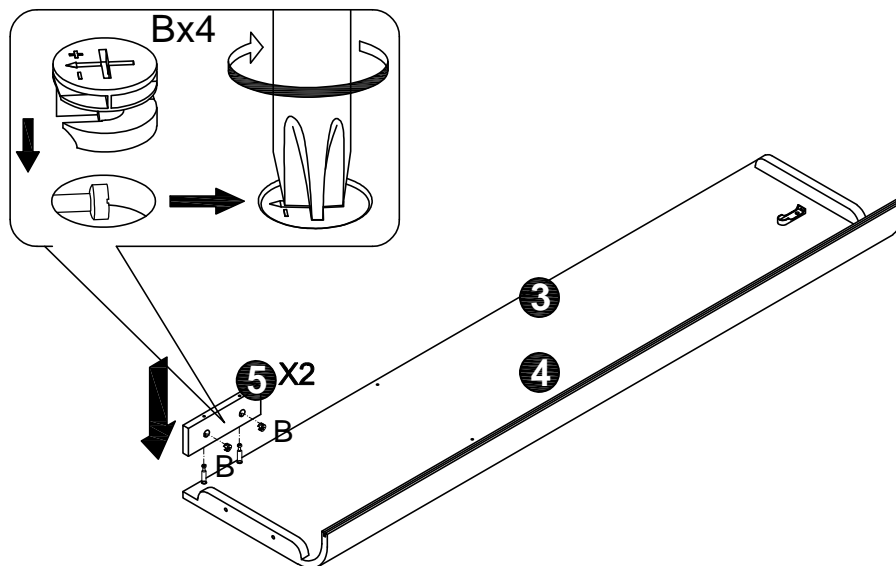
2-door wardrobe Milan

STEP 1

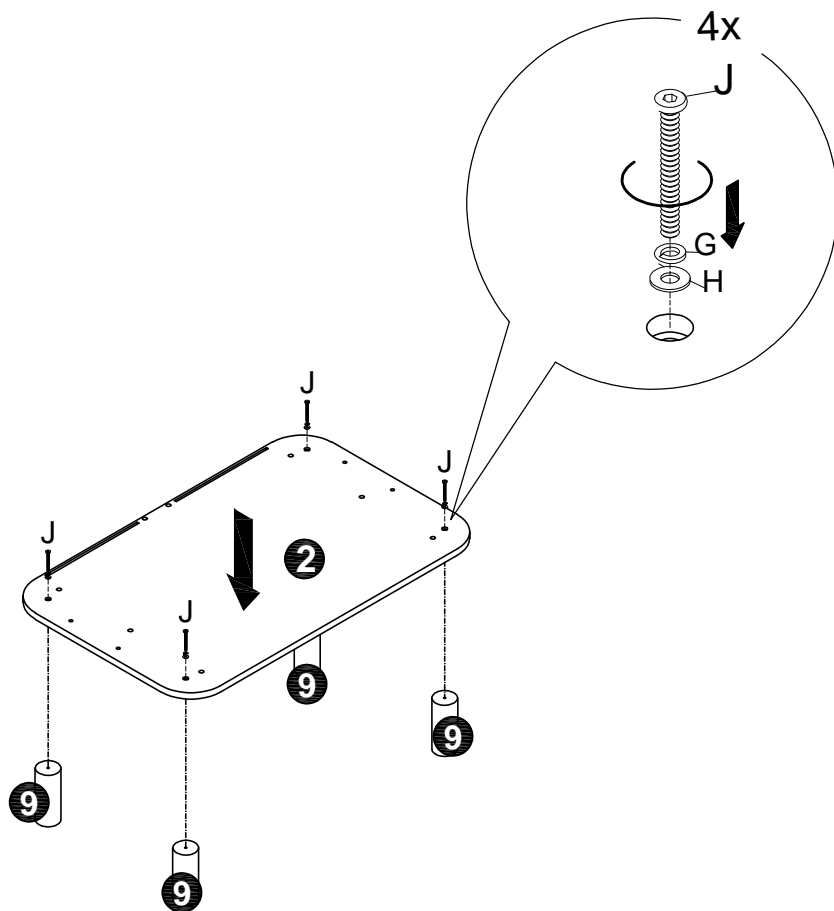


2-door wardrobe Milan

STEP 2

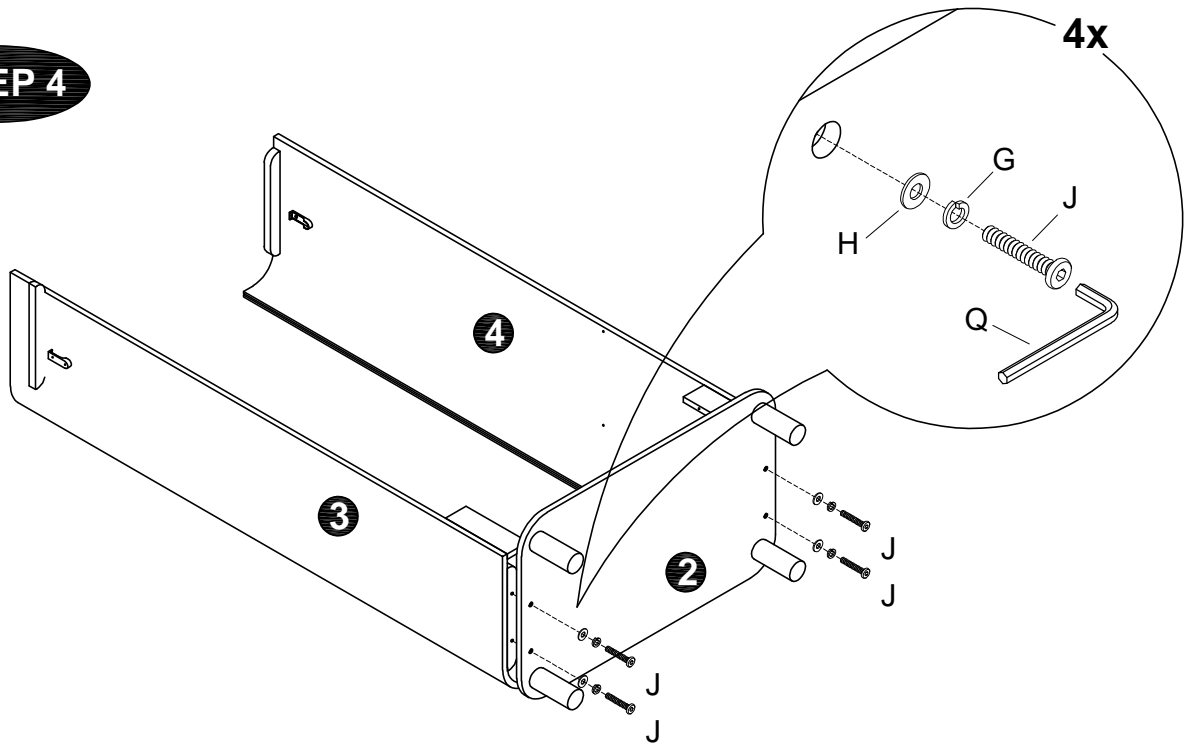


STEP 3

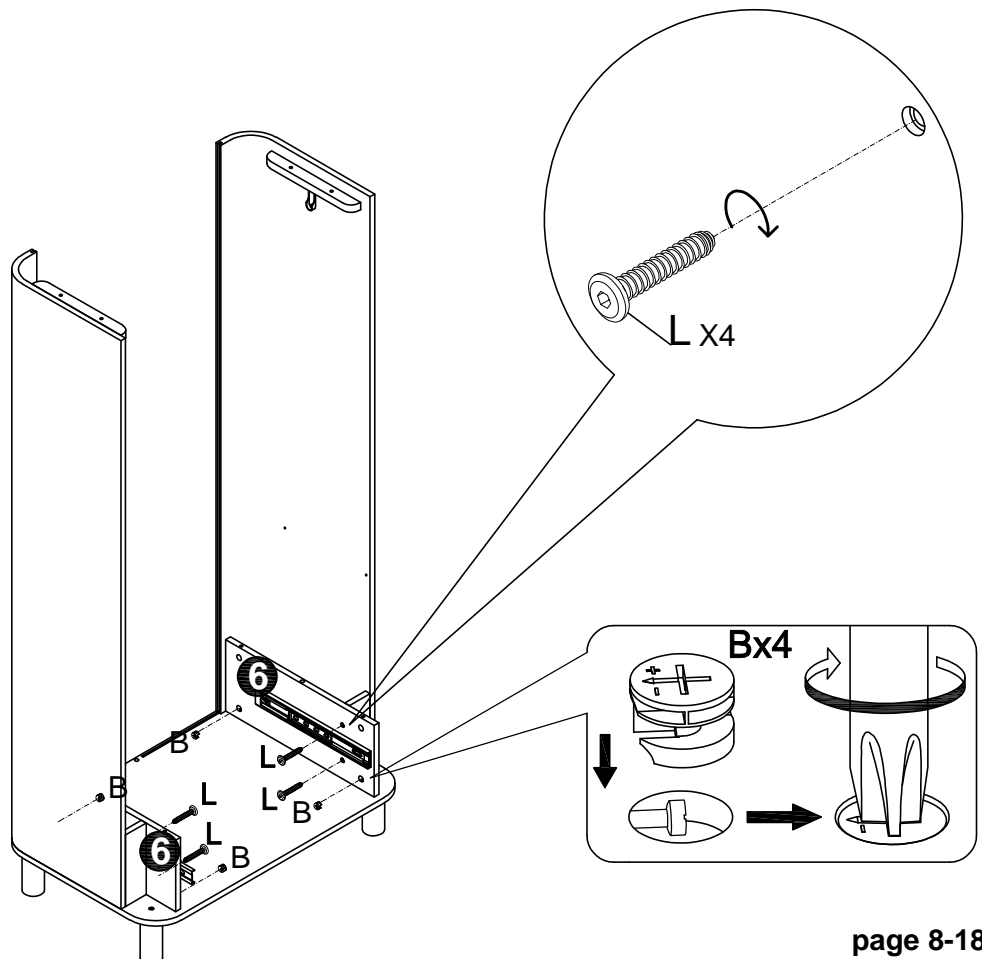


2-door wardrobe Milan

STEP 4

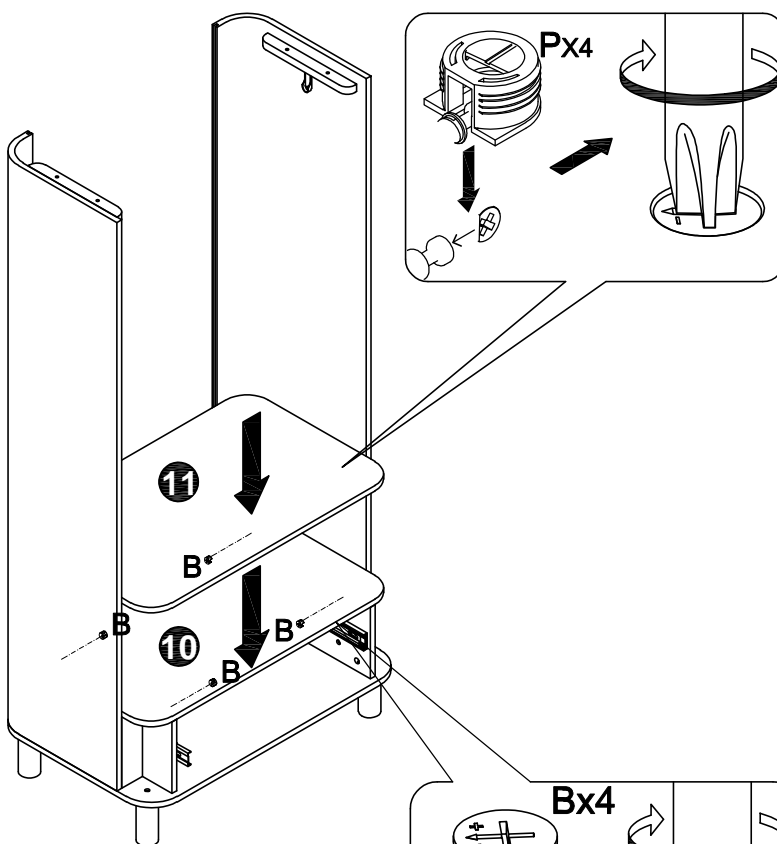


STEP 5

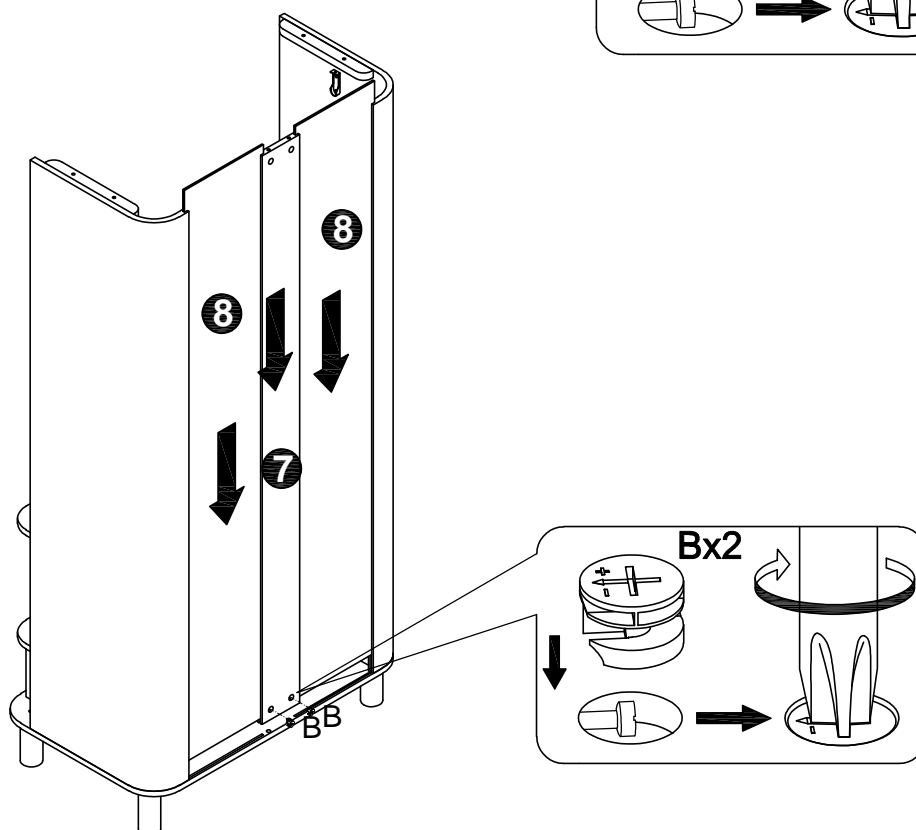


2-door wardrobe Milan

STEP 6

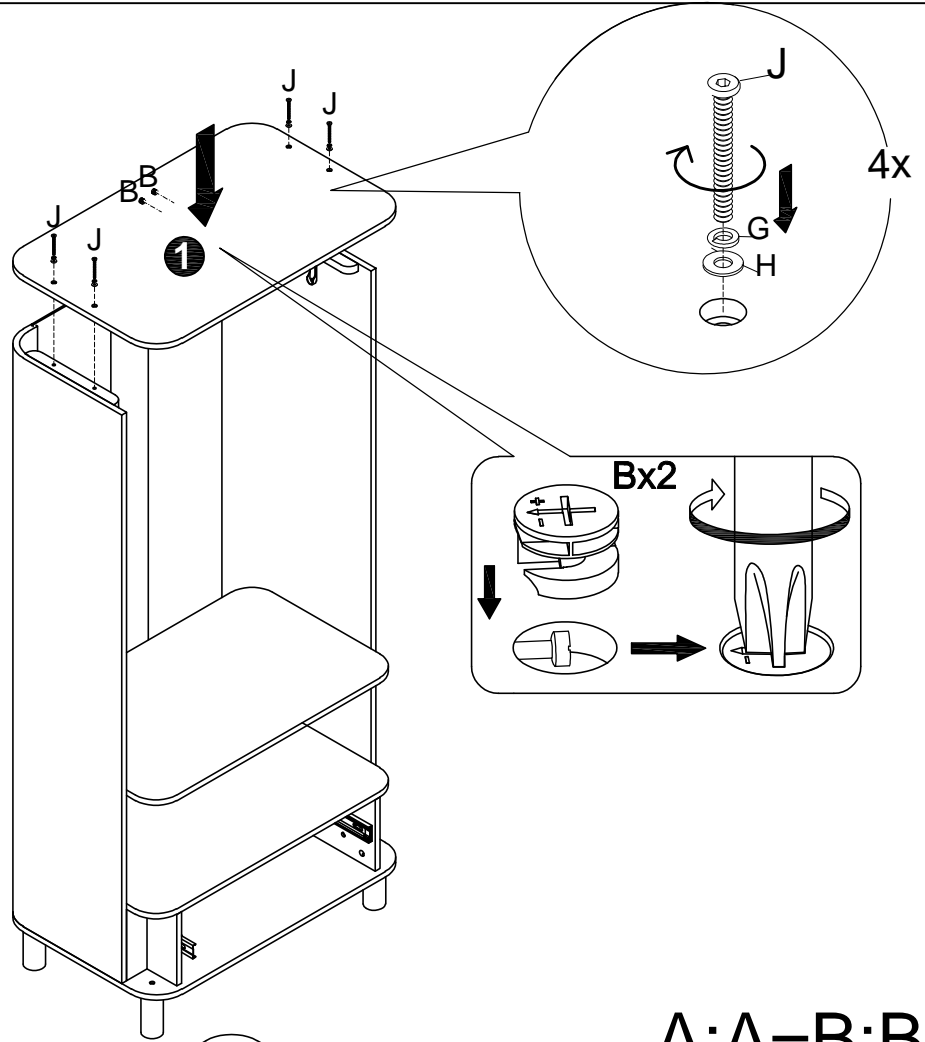


STEP 7

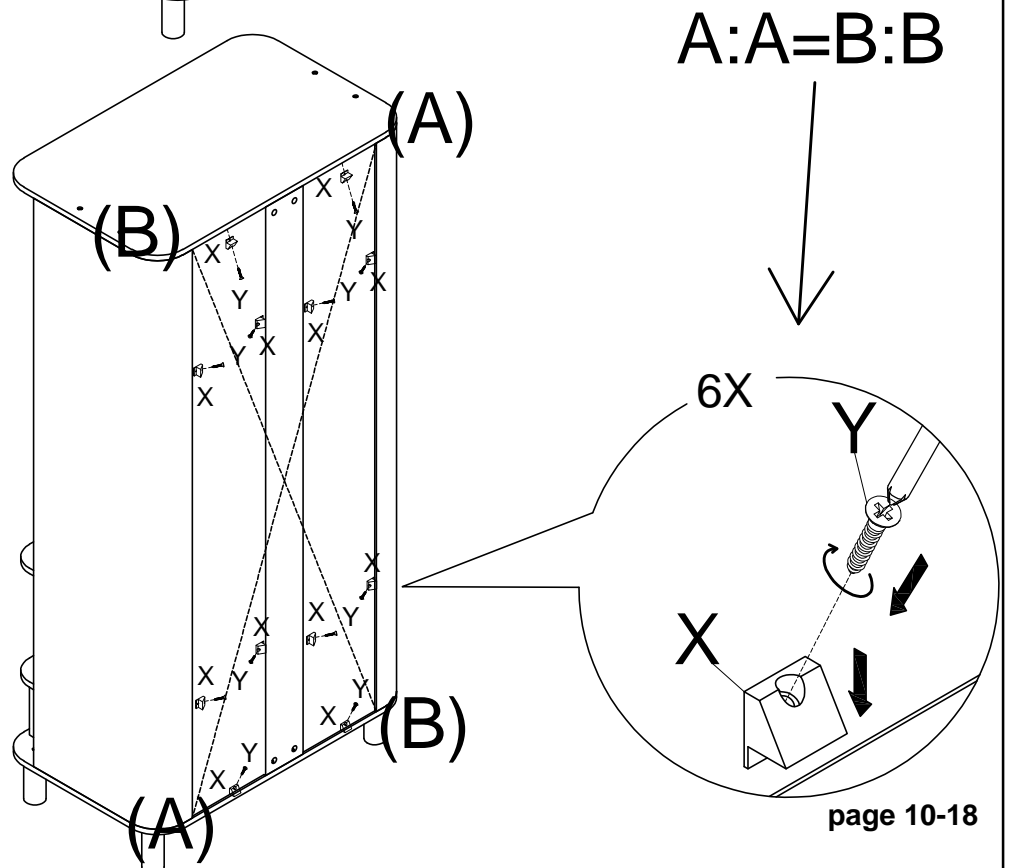


2-door wardrobe Milan

STEP 8

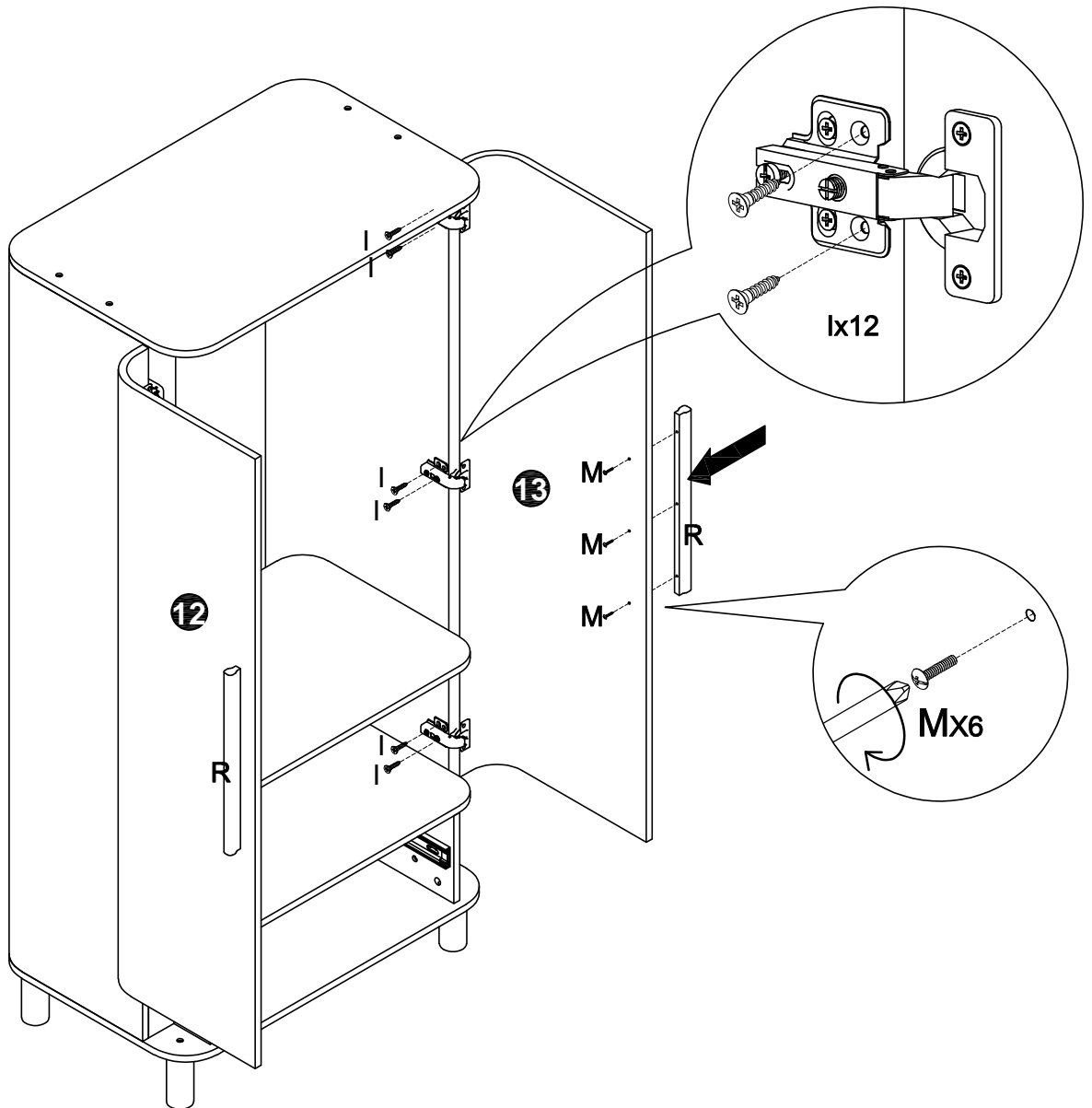


STEP 9



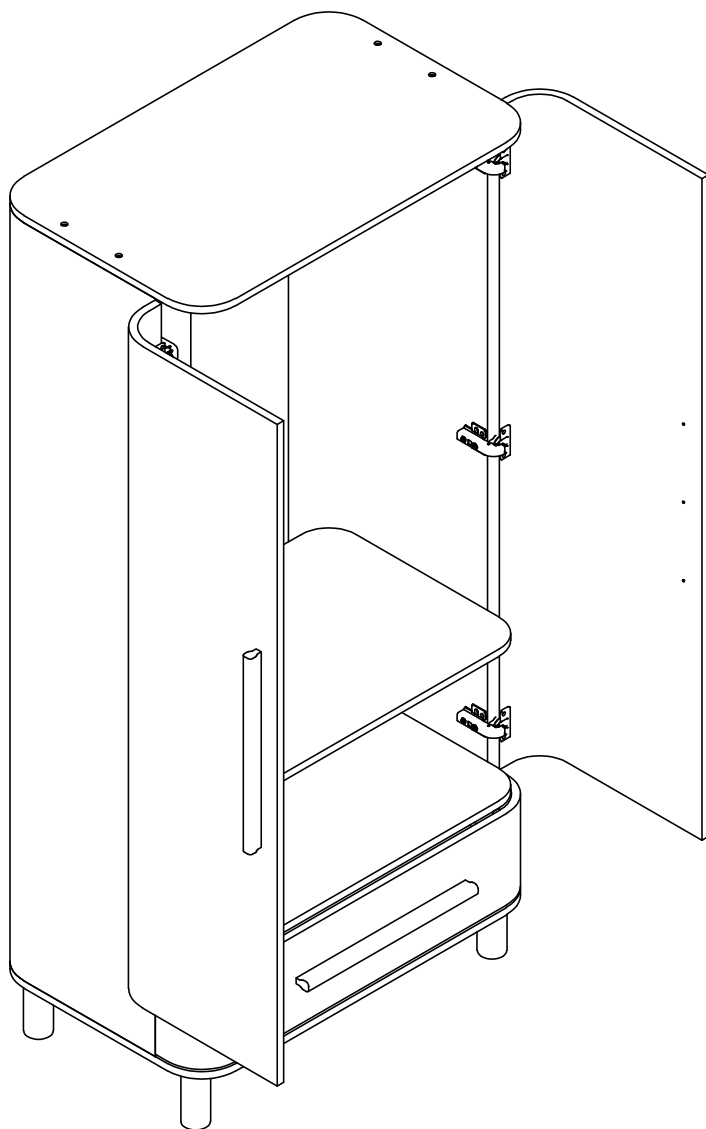
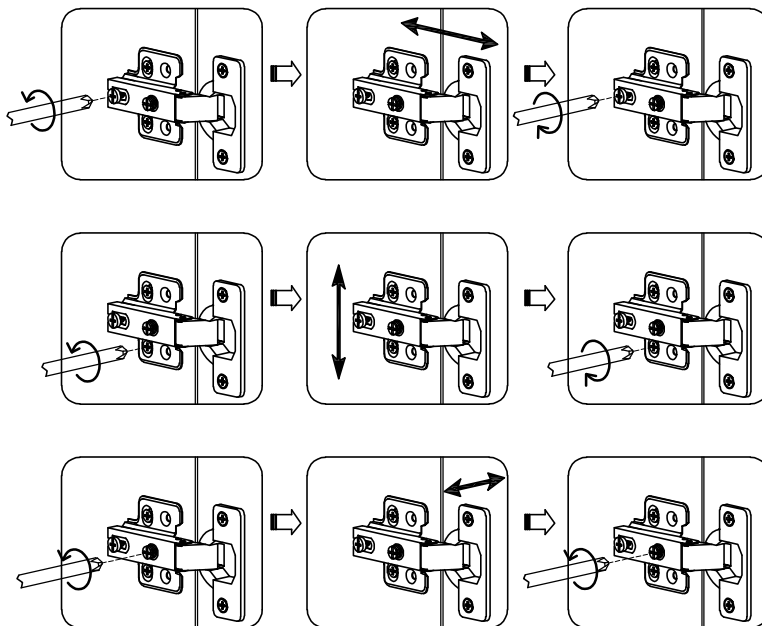
2-door wardrobe Milan

STEP 10



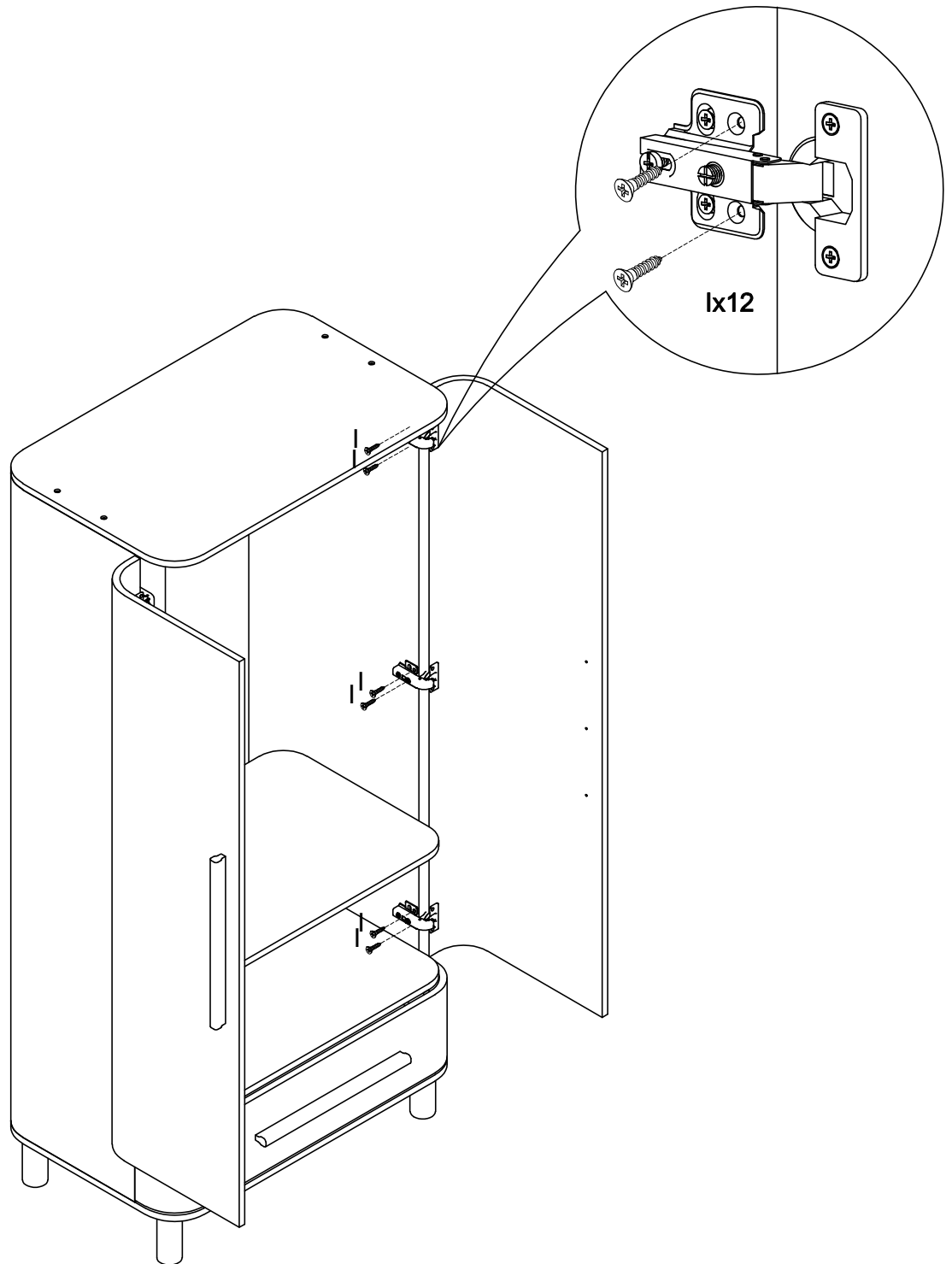
2-door wardrobe Milan

STEP 11



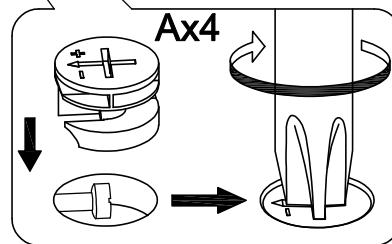
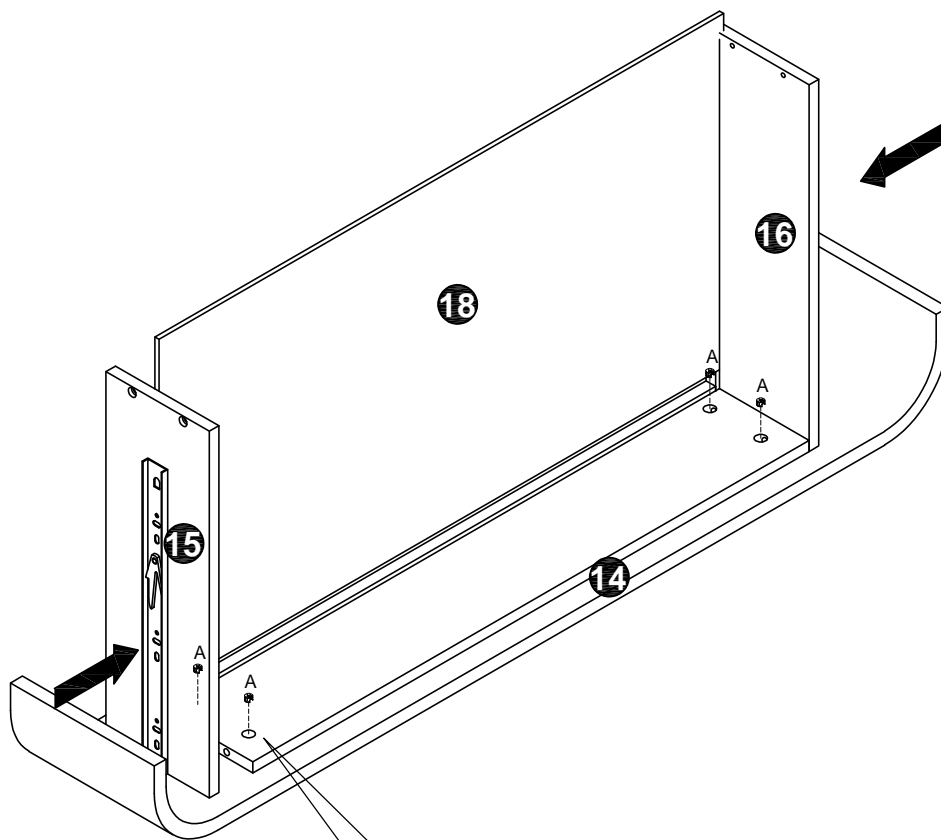
2-door wardrobe Milan

STEP 12



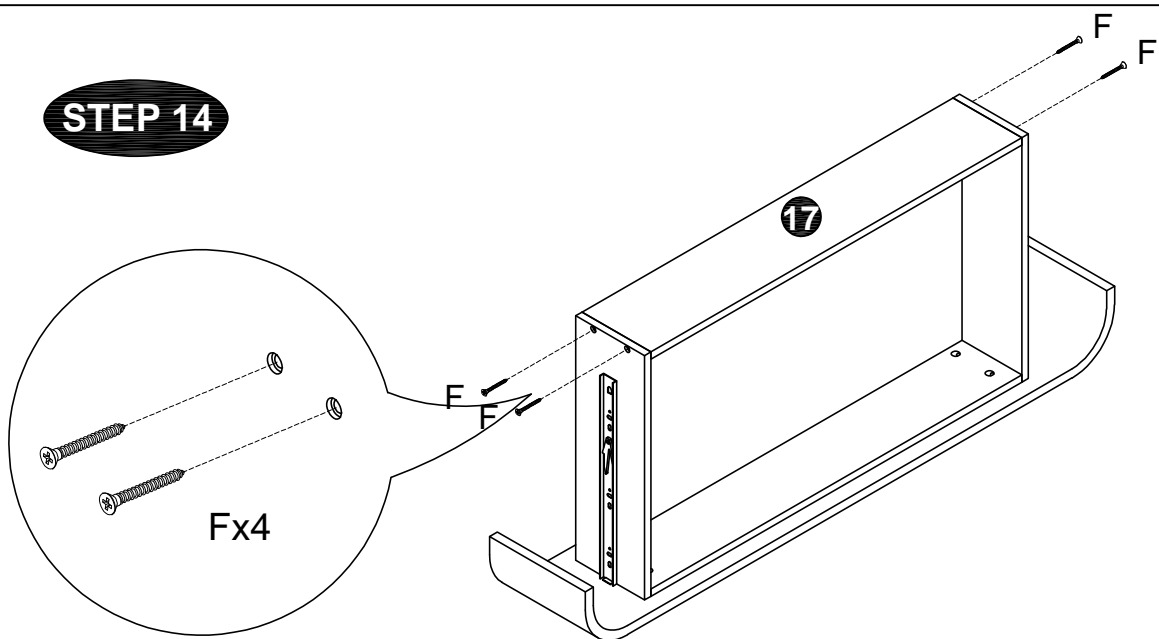
2-door wardrobe Milan

STEP 13

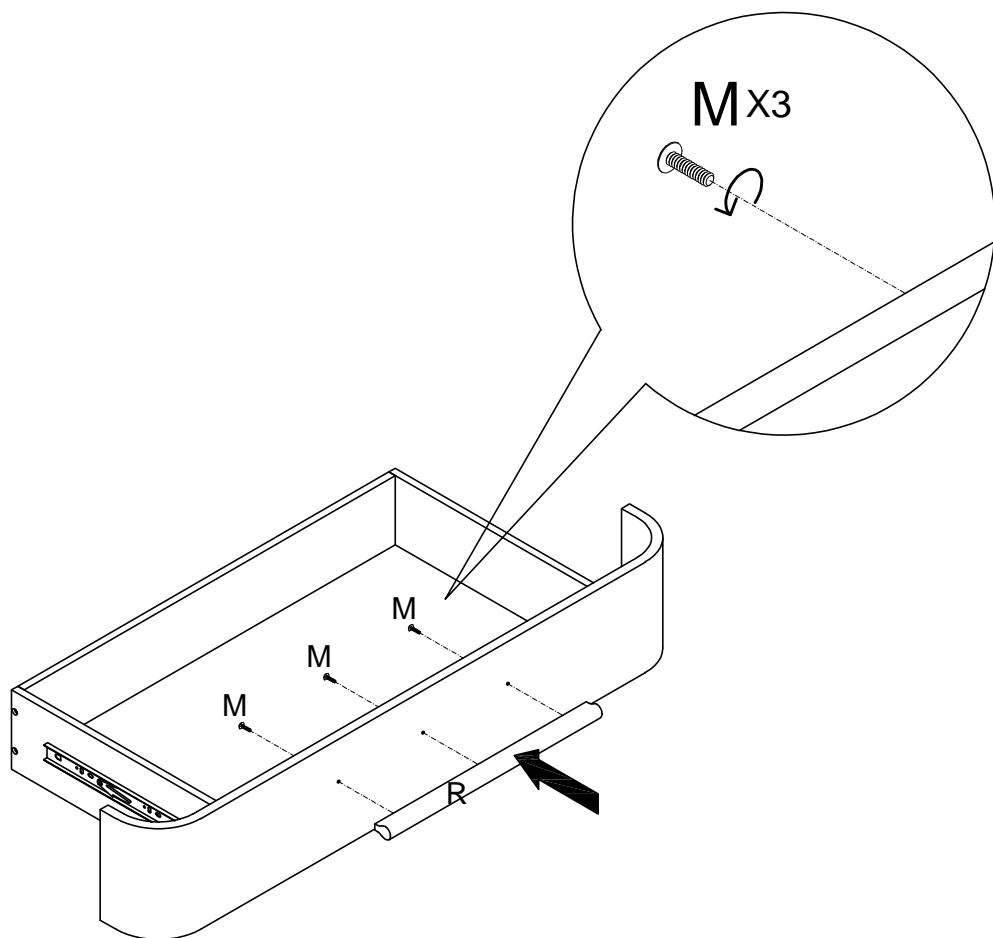


2-door wardrobe Milan

STEP 14

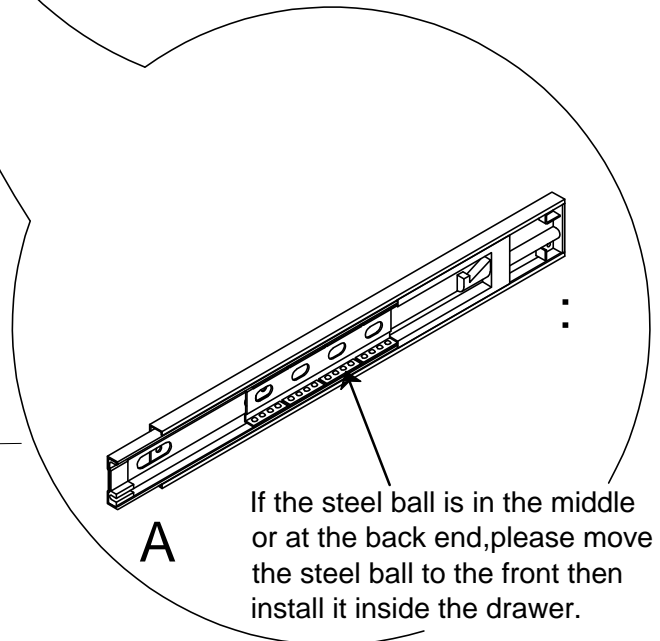
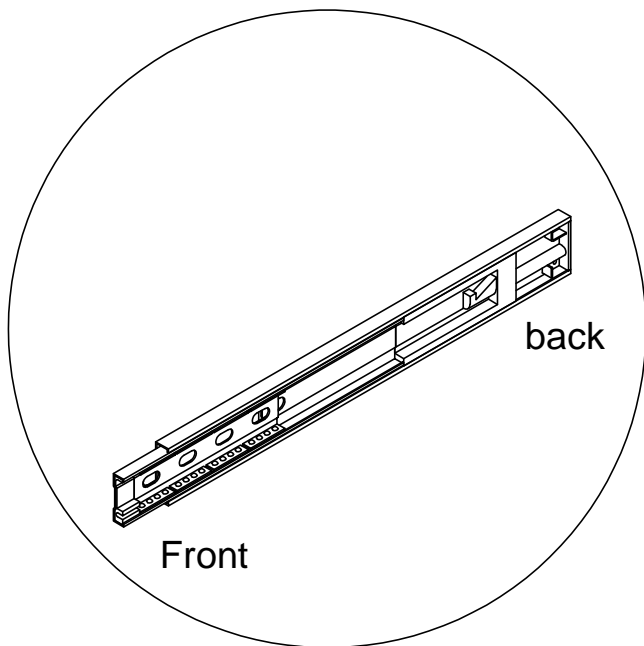
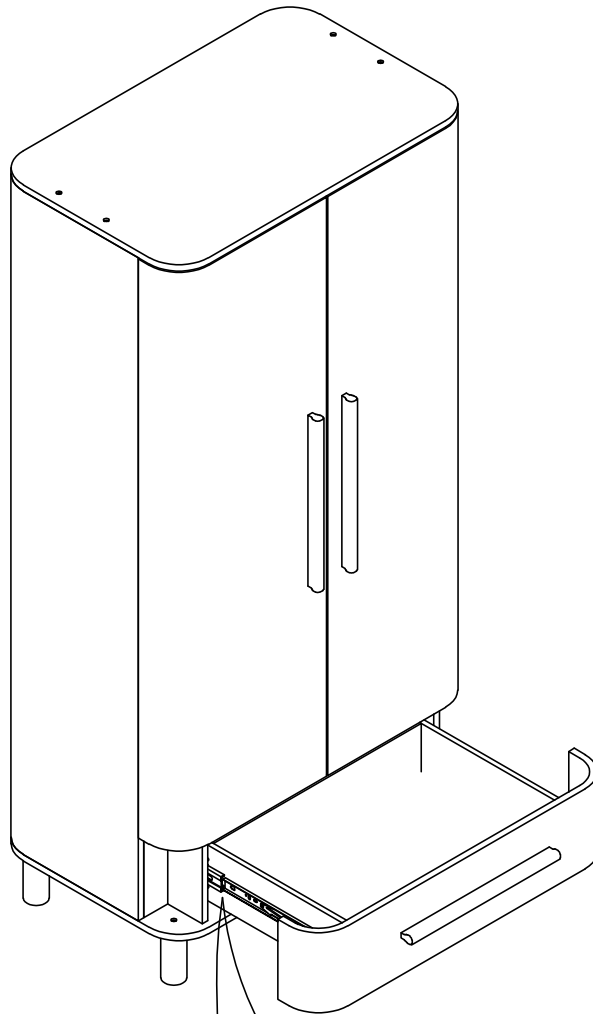


STEP 15



2-door wardrobe Milan

STEP 16

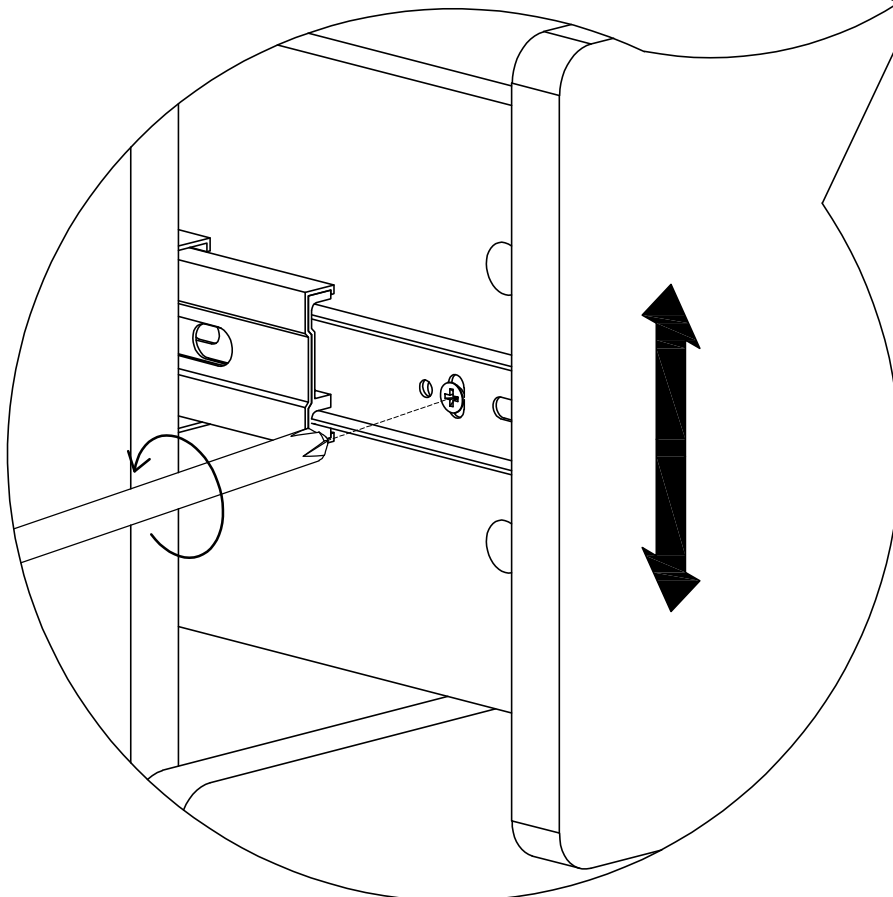
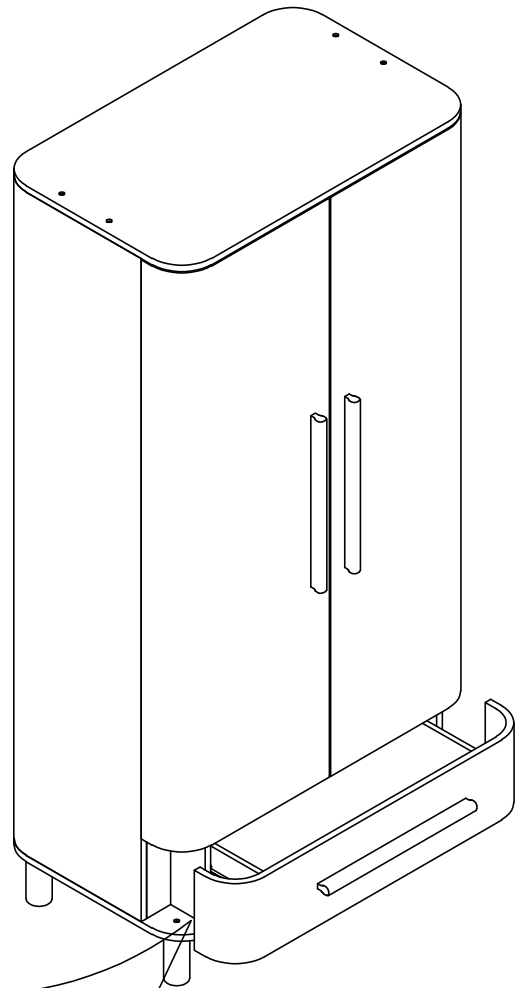


If the steel ball is in the middle or at the back end, please move the steel ball to the front then install it inside the drawer.

2-door wardrobe Milan

STEP 17

If the gap between the drawing plank is too small or there is a collision in between, please loosen the screw and adjust the drawer plank up or down:



2-door wardrobe Milan

STEP 18

